

Attenuators

STEP ATTENUATORS

- Small Size
- Precision Construction / High Reliability
- Precision 1 dB Steps to 69 dB



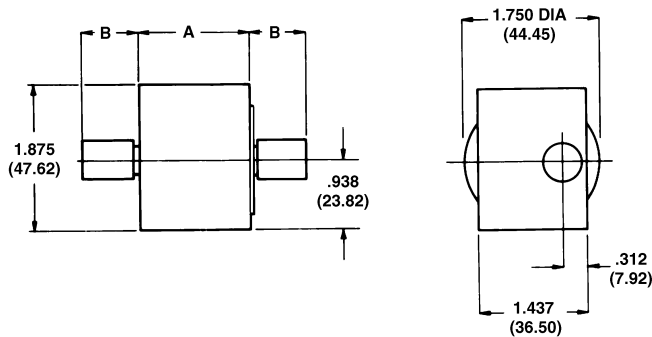
SPECIFICATIONS

Thumbwheel / Type "N" and SMA Connectors*

FREQ. RANGE (GHz)	MODEL NO.	ATTENUATION dB	ATTENUATION DEVIATION RELATIVE (dB)		RESETTABILITY dB per Drum	VSWR (Max)	IMPEDANCE (Ohms)	TEMP STABILITY (dB/dB/°C)	POWER INPUT		CONNECTORS
			STEP	DEVIATION					AVG. W (Max)	PEAK kW (Max)	
DC-18	741 4741	0-9 dB in 1 dB steps	0 1-9 dB	0.5 ±0.5	<0.05	1.50	50	0.0001	2	0.2	N FEMALE SMA FEMALE
DC-18	743-60 4743-60	0-60 dB in 10 dB steps	0 10-60 dB	0.5 ±0.5 to ±1.5	<0.05	1.50	50	0.0001	2	0.2	N FEMALE SMA FEMALE
DC-18	745-69 4745-69	0-69 dB in 1 dB steps	0 1-9 dB 10 - 69 dB**	0.5 ±0.5 ±1.0 to ±2.0	<0.05	DC-12.4 GHz: 1.50 12.4-18 GHz: 1.65	50	0.0001	2	0.2	N FEMALE SMA FEMALE

*Rack mounting available – consult factory.

**Consult factory for intermediate attenuation values.



Model No.	A	B (MAX)	CONN
741	1.125 (28.75)	.781 (19.83)	TYPE N FEMALE
743-60	1.437 (36.50)		
745-69	2.250 (57.15)		

Model No.	A	B (MAX)	CONN
4741	1.125 (28.75)	.437 (11.10)	TYPE SMA FEMALE
4743-60	1.437 (36.50)		
4745-69	2.250 (57.15)		

Dimensions in parentheses are in millimeters and for reference only.

Connectors made without interference per MIL-C-39012.